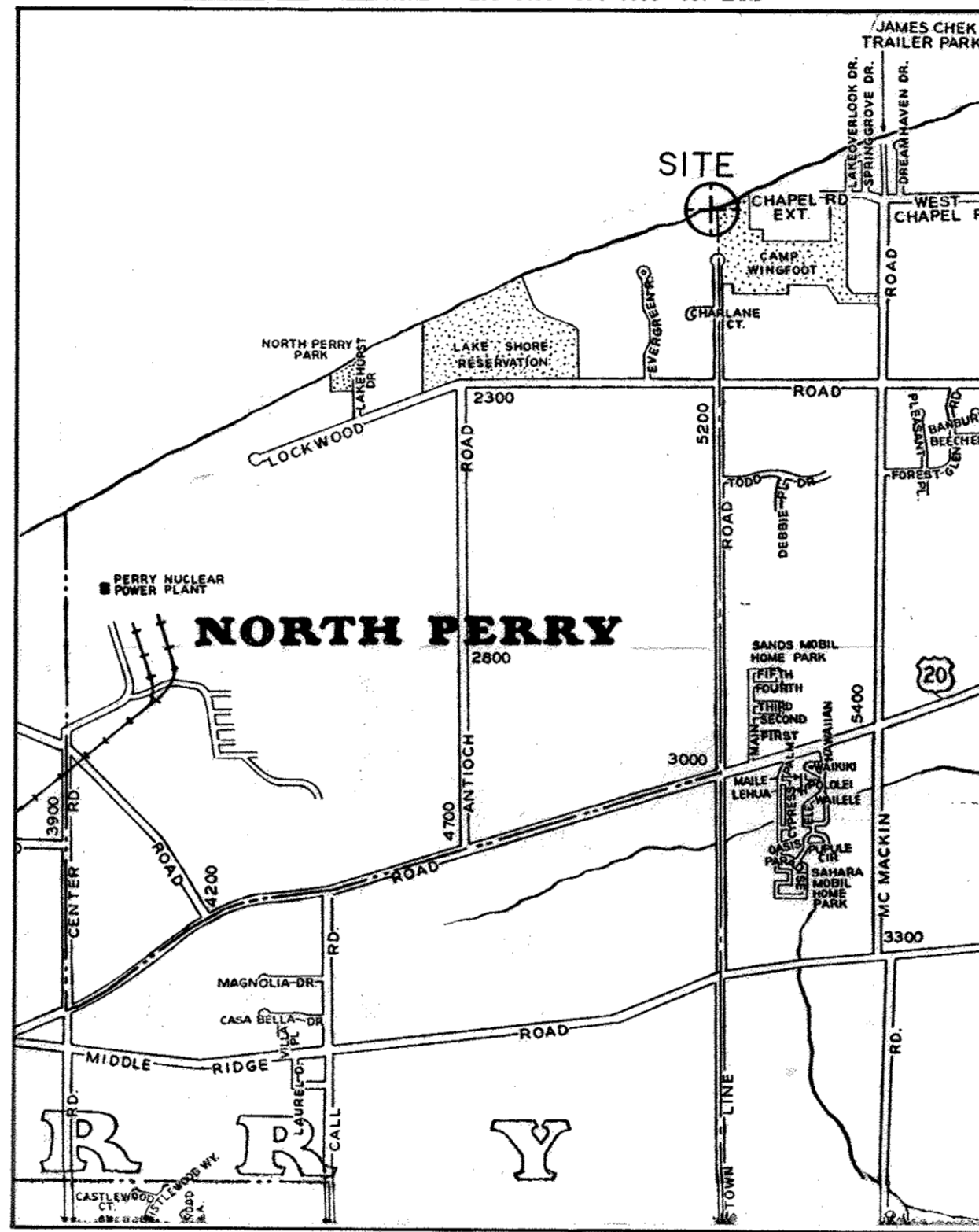
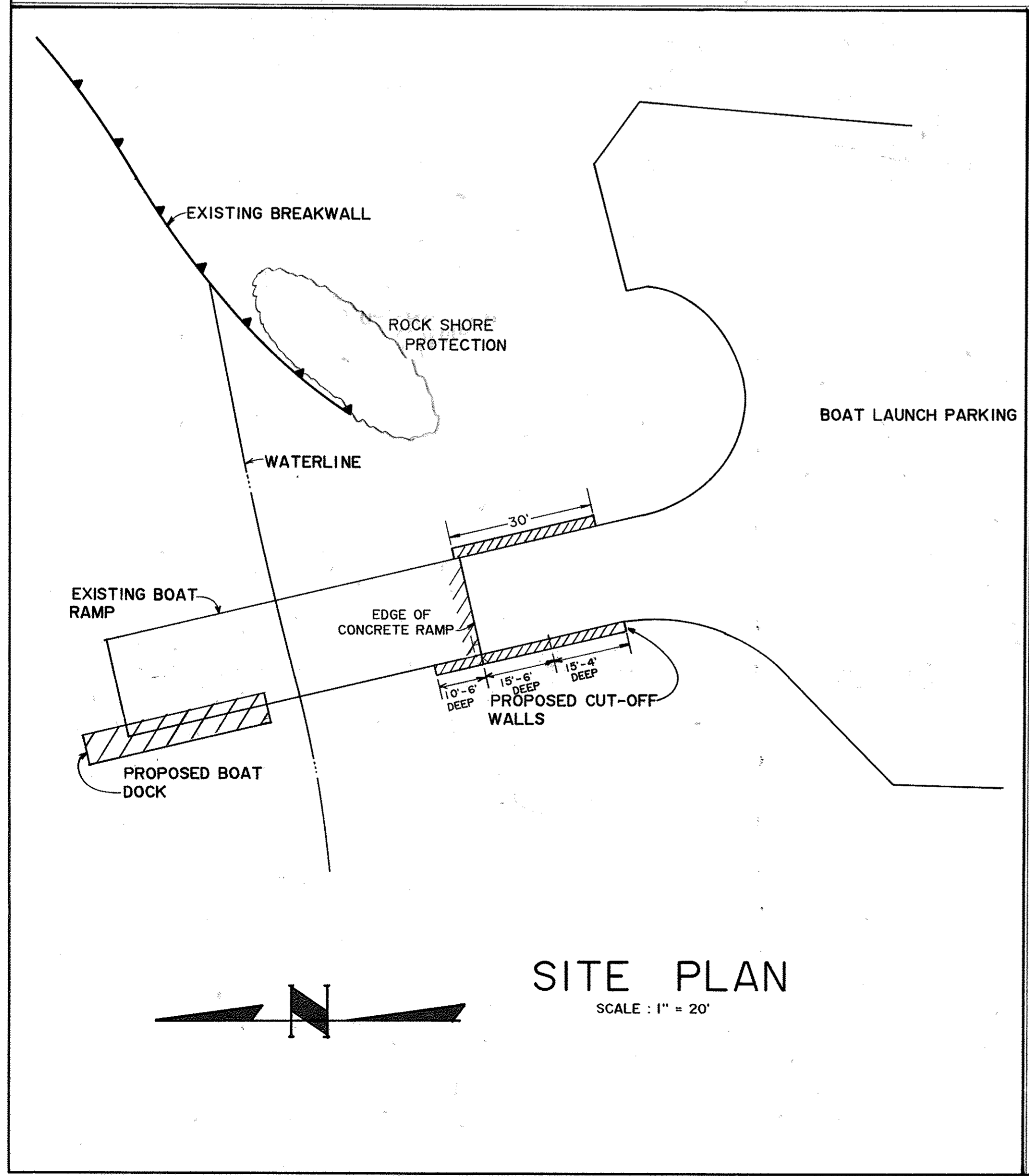


IMPROVEMENT PLANS  
for  
**NORTH TOWNLINE PARK BOATDOCK**  
VILLAGE OF NORTH PERRY — LAKE COUNTY — OHIO

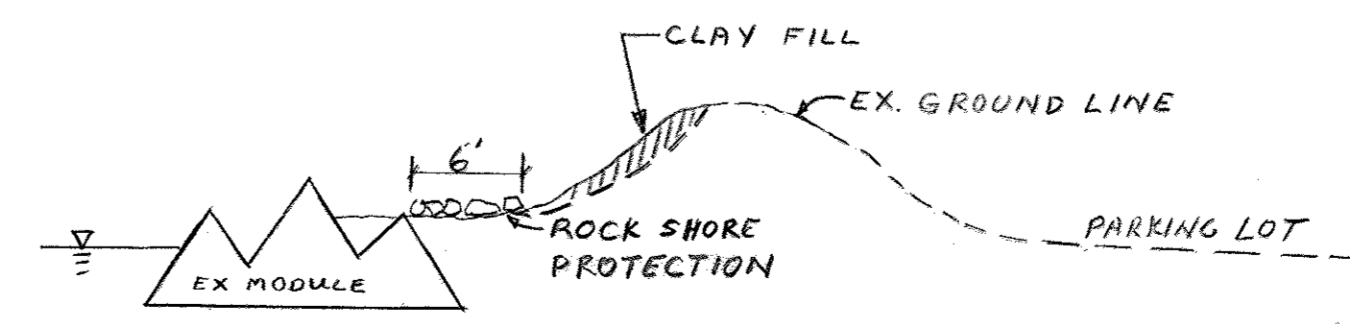

**LAND DESIGN consultants**  
 Civil Engineers and Surveyors  
 8385 EAST AVENUE MENTOR, OHIO 44060  
 TELEPHONE 255-8463 354-6938 951-LAND



VICINITY MAP



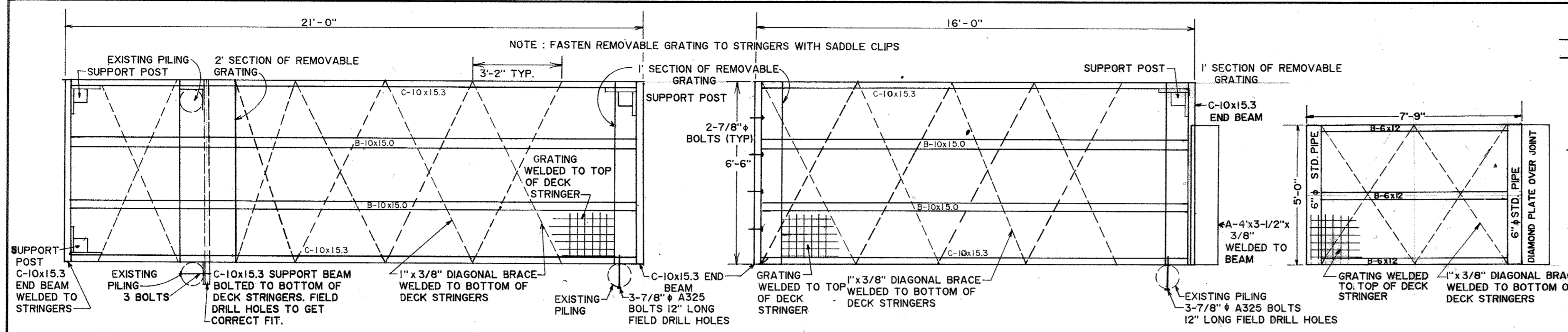
**SITE PLAN**  
 SCALE: 1" = 20'



TYPICAL SECTION  
 ROCK SHORE PROTECTION

SHEET	OF
1	2
CONTRACT No.	
90-802	

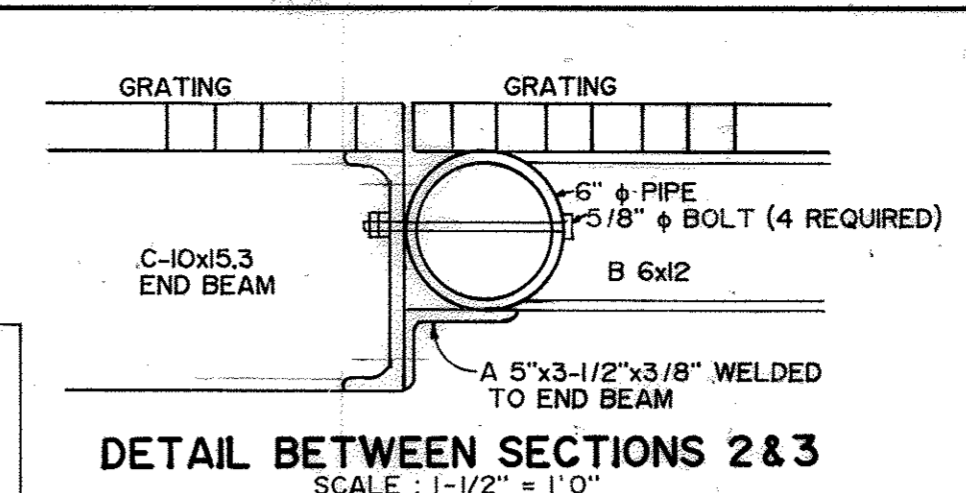
NPV 068  
 FR-4-1066L



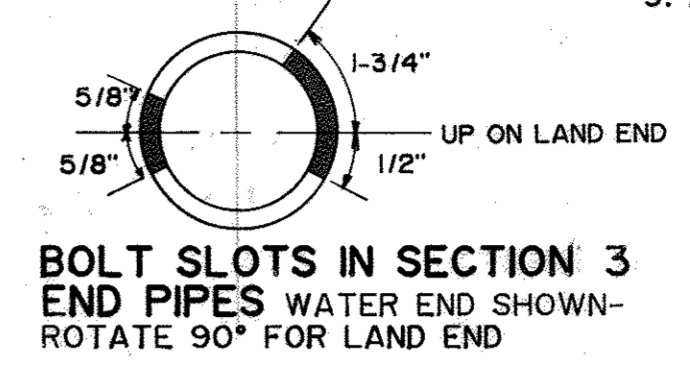
**DOCK SECTION 1**  
SCALE: 3/8" = 1'-0"

**DOCK SECTION 2**  
SCALE: 3/8" = 1'-0"

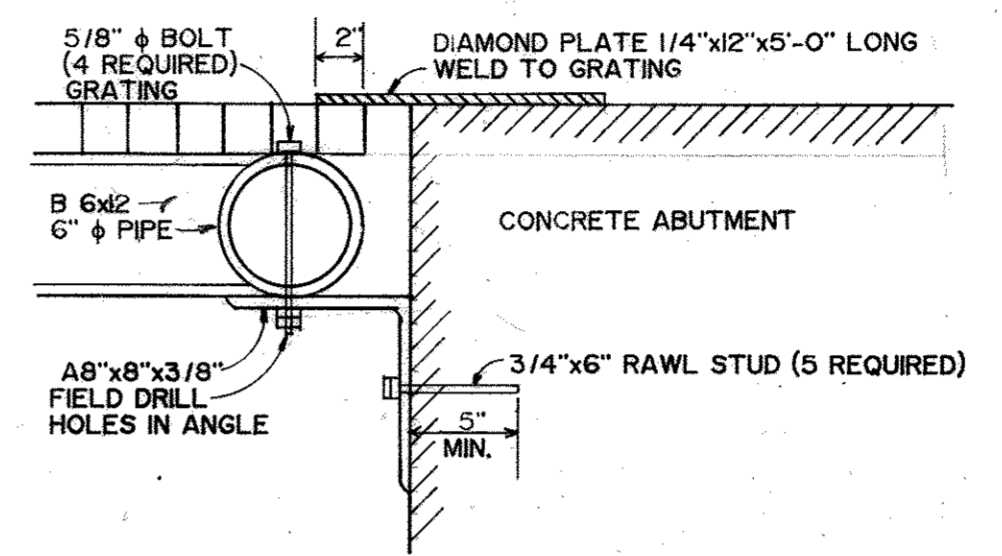
**DOCK SECTION 3**  
SCALE: 3/8" = 1'-0"



**DETAIL BETWEEN SECTIONS 2 & 3**  
SCALE: 1-1/2" = 1'-0"

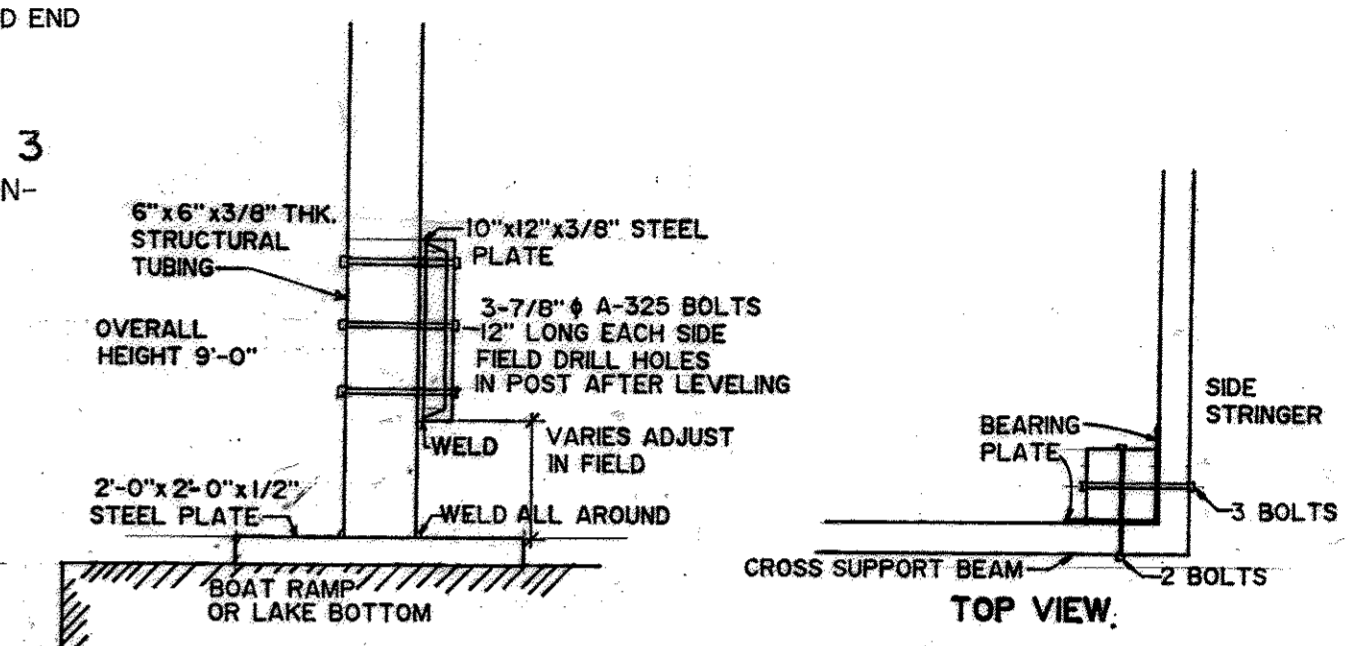


**BOLT SLOTS IN SECTION 3**  
END PIPES WATER END SHOWN - ROTATE 90° FOR LAND END

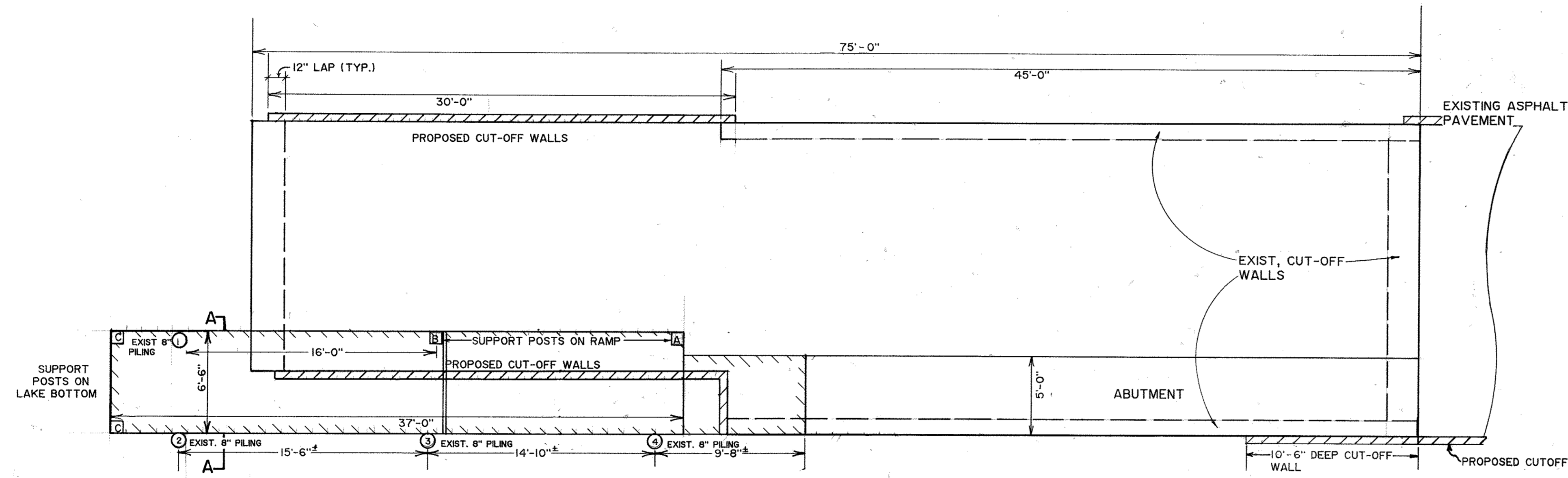


**DETAIL AT CONCRETE ABUTMENT**  
SCALE: 1-1/2" = 1'-0"

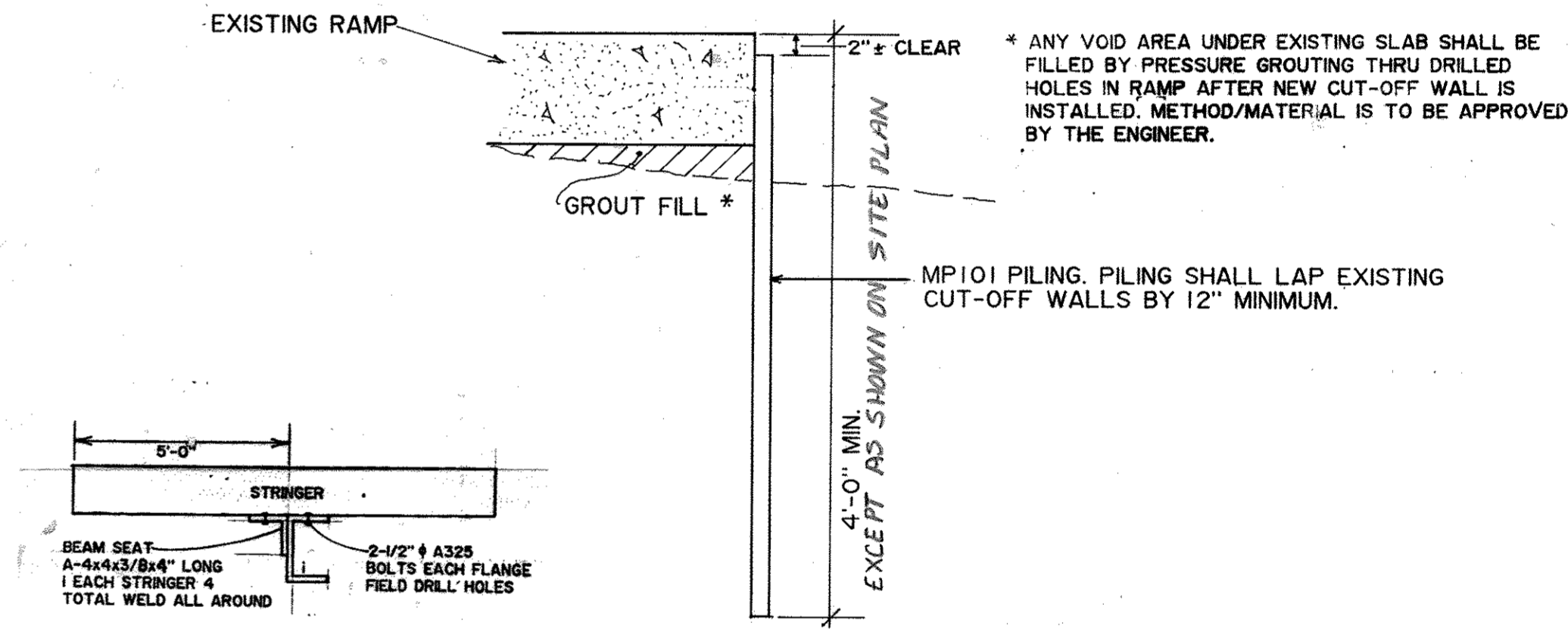
- NOTES:**
1. CONSTRUCT DOCK SECTIONS 1 & 2 AS RIGID UNITS.
  2. PROVIDE 4 SETS OF 2-7/8" BOLTS AS SHOWN TO FIELD ASSEMBLE UNITS AS RIGID STRUCTURES.
  3. FIELD DRILL ALL HOLES FOR BOLTING DOCK TO EXISTING PILING AND SUPPORT BEAM.
  4. SET SUPPORT BEAM ON OUTBOARD PILING (No. 1 & 2)
  5. INSTALL DOCK SECTION 1 TO SUPPORT BEAM AND PILING No. 3
  6. ADJUST SUPPORT POSTS TO LEVEL, SECTION 1
  7. INSTALL DOCK SECTION 2 TO SECTION 1 & PILING 4, LEVEL WITH SUPPORT POST.
  8. PROVIDE PERMANENTLY ATTACHED FOLD DOWN LIFTING RINGS ON EACH DOCK SECTION TO ALLOW EASY INSTALLATION AND REMOVAL.
  9. ALL BOLTS SHALL HAVE LOCK WASHERS AND DOUBLE NUTS.



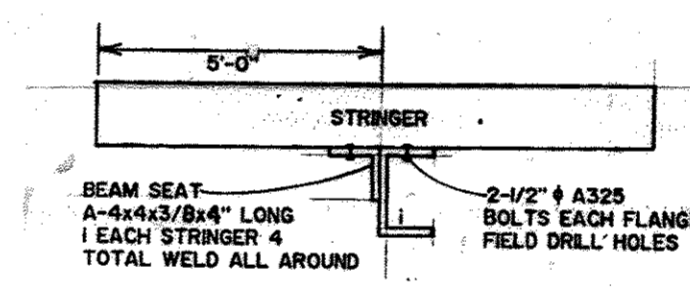
**SUPPORT POST DETAILS**  
4 REQUIRED  
NO SCALE



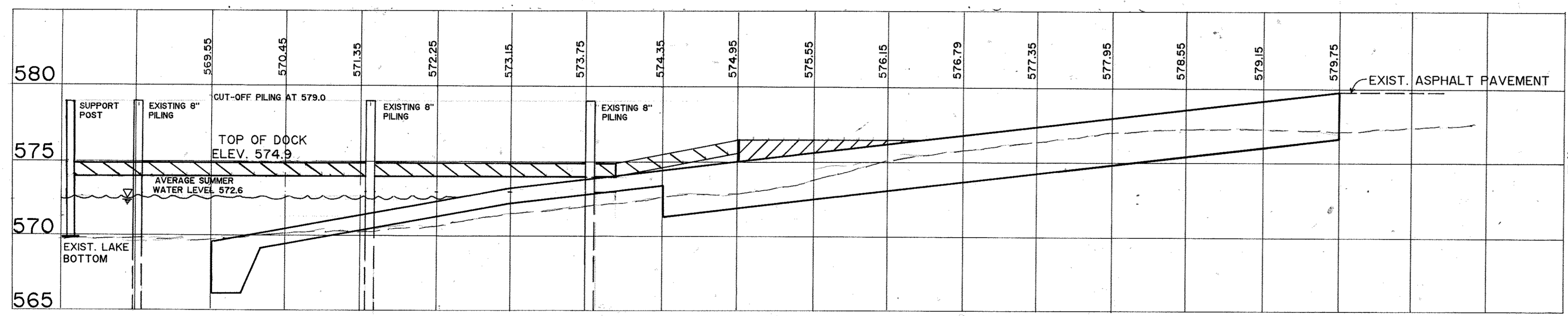
**PLAN**  
SCALE: 1" = 5'



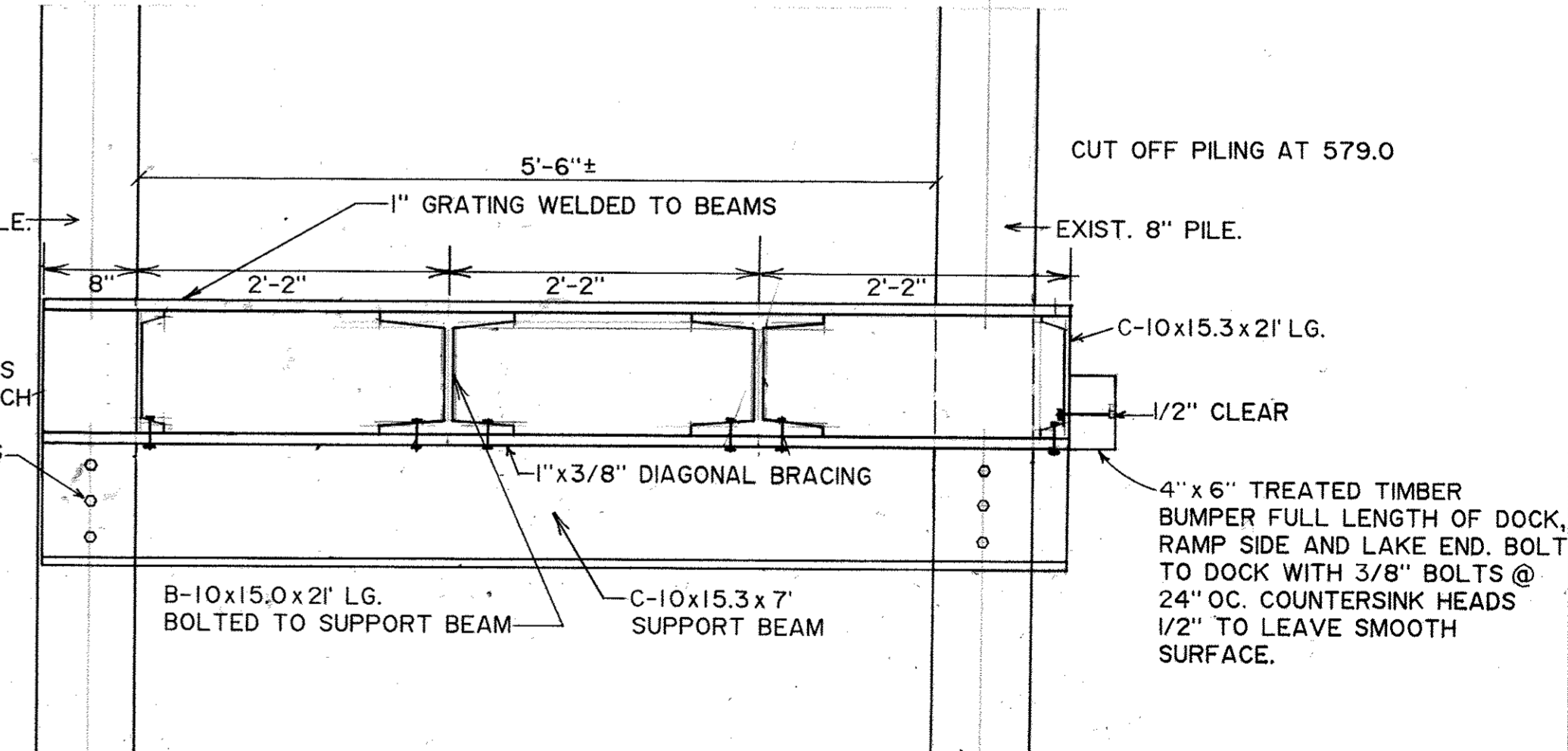
**CUT-OFF WALL DETAIL**  
SCALE: 1" = 1'



**SECTION THROUGH SUPPORT BEAM**  
NO SCALE

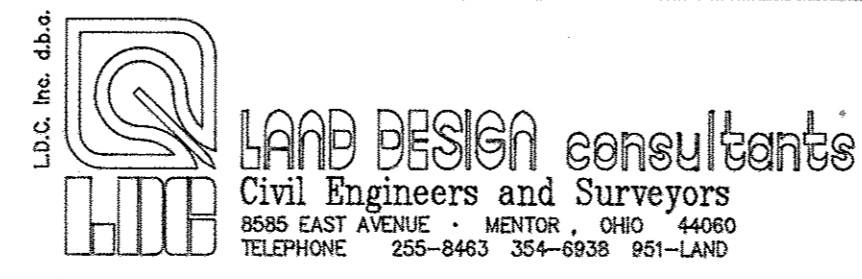


**PROFILE**  
SCALE: 1" = 5'



**SECTION A-A**  
SCALE: 1" = 1'

REV. No.	DATE	BY	CHK'D



DATE: \_\_\_\_\_  
SCALE: HOR. \_\_\_\_\_  
VERT. \_\_\_\_\_  
FILENAME: \_\_\_\_\_  
CHK'D BY: \_\_\_\_\_  
F.B. No.: \_\_\_\_\_

**NORTH PERRY VILLAGE**  
**BOAT LAUNCHING FACILITY**  
**TOWNLIN ROAD**

NPV 068  
FF-14-1054